

TABLE 1	
DASH NO	DESCRIPTION
-1	CAP (NO CHAIN)
-2	CAP WITH 2.5 INCH BRASS CHAIN
-3	CAP WITH 2.5 INCH NYLON CHAIN
-4	CAP WITH 3.0 INCH BRASS CHAIN
-5	CAP WITH 3.0 INCH NYLON CHAIN
-6	CAP WITH 6.0 INCH BRASS CHAIN
-7	CAP WITH 6.0 INCH NYLON CHAIN
-8	CAP WITH 4.0 INCH BRASS CHAIN
-9	CAP WITH 4.0 INCH NYLON CHAIN
-10	CAP WITH 10.0 INCH BRASS CHAIN
-11	CAP WITH 10.0 INCH NYLON CHAIN
-12	CAP WITH 2.5 INCH SST ROPE
-13	CAP WITH 3.0 INCH SST ROPE
-14	CAP WITH 6.0 INCH SST ROPE
-15	CAP WITH 4.0 INCH SST ROPE
-16	CAP WITH 7.0 INCH SST ROPE
-17	CAP WITH 4.5 INCH SST ROPE
-18	CAP WITH 12 INCH SST ROPE

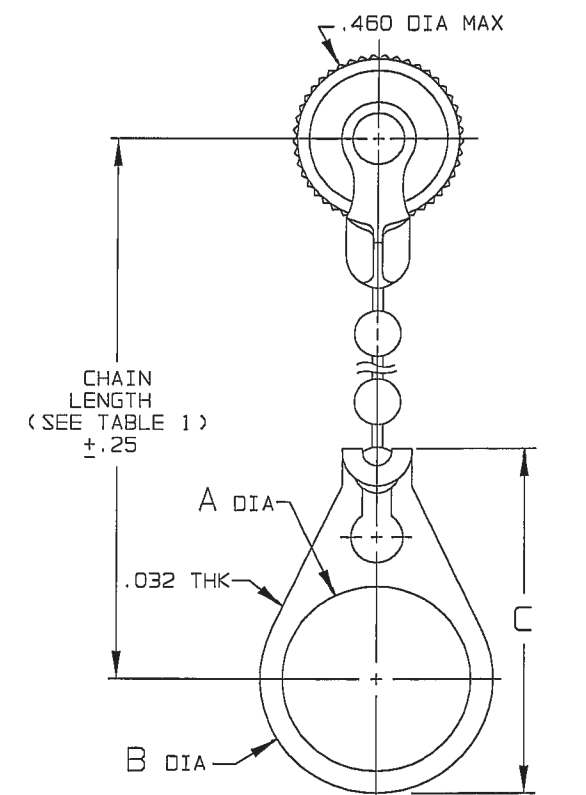
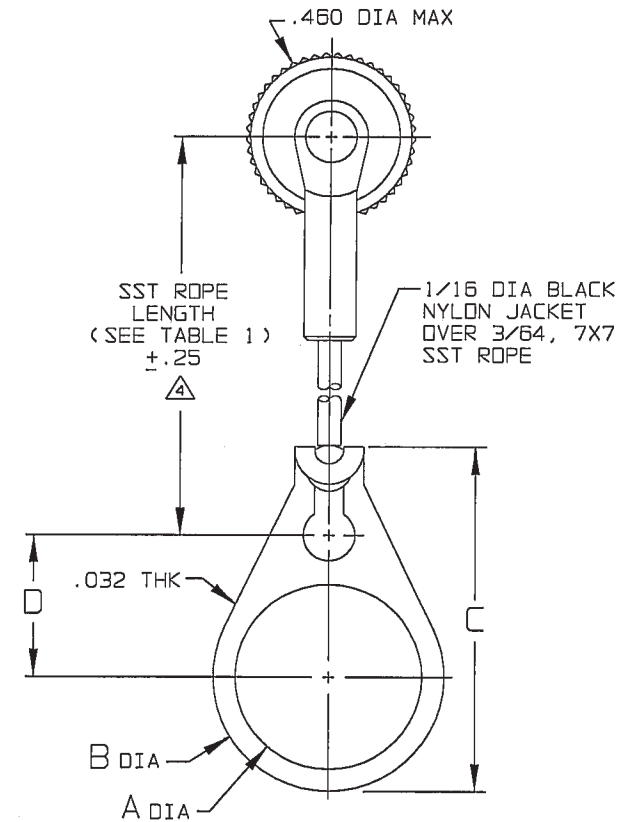
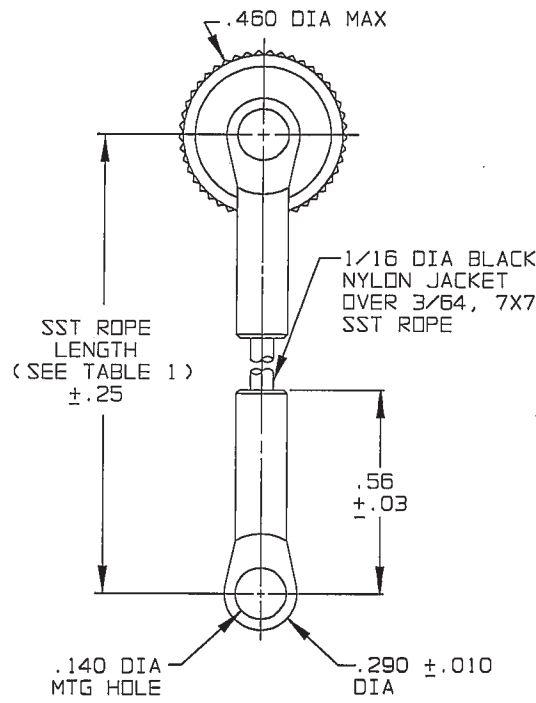
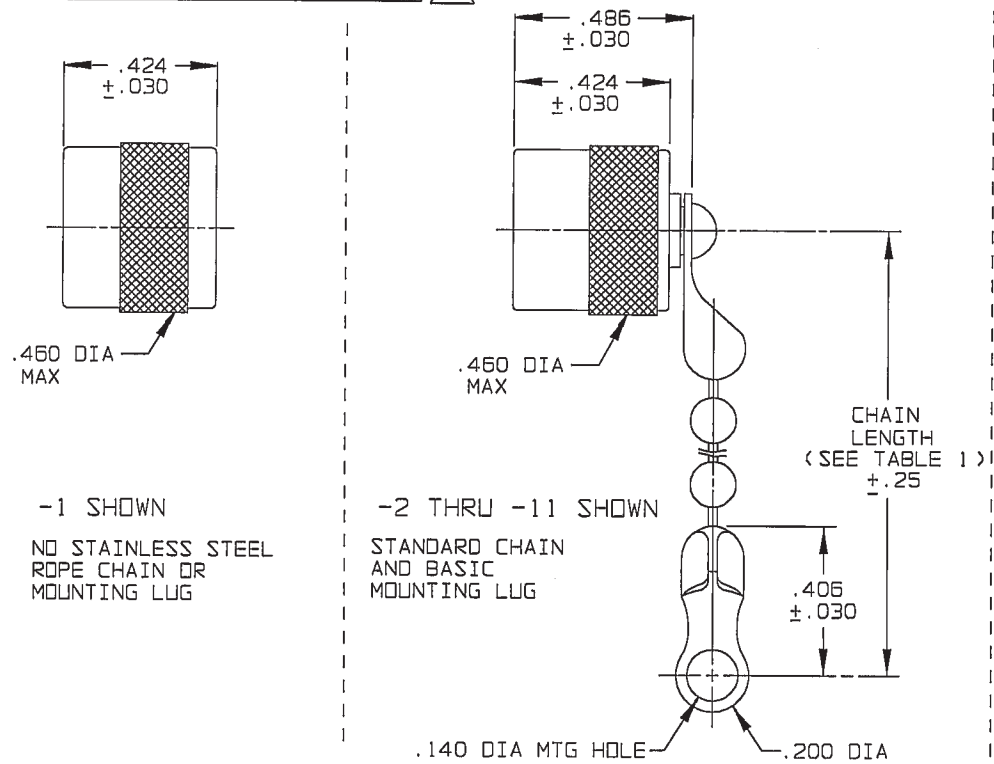
TABLE 2	
MODEL NO	TYPE
RFI55	3-LUG
RFI155	
RFI55FL	4-LUG
RFI155FL	
RFI355	THREADED
RFI3155	

TABLE 3				
DASH NO	"A" DIA	"B" DIA	"C" DIM	"D" DIM
-02	.630	.750	1.066	.450
-03	.505	.625	.941	.388
-04	.439	.562	.878	.355
-05	.380	.500	.816	.325
-06	.317	.437	.753	.295
-07	.281	.406	.722	.278
-08	.610	.750	1.066	.450
-09	.567	.687	1.003	.419
-D10	.192	.312	.628	.231
-D11	1.005	1.125	1.441	.638
-DD8	.330	.450	.766	.300

DATA CONTAINED IN THIS DOCUMENT IS PROPRIETARY TO TROMPETER ELECTRONICS INC. AND SHALL NOT BE DISCLOSED, COPIED OR USED FOR PROCUREMENT OR MANUFACTURE WITHOUT EXPRESS WRITTEN PERMISSION OF TROMPETER ELECTRONICS INC.

REVISIONS		1-0151	SH 1
REV	DESCRIPTION	DATE	APPROVED
M	REVISED PER ECO 15018	4-10-03	MM

RED INDICATES ORIGINAL



2. EXAMPLE OF COMPLETE MODEL NO:
RFI3155S-2-03
 BASIC MODEL NO BULKHEAD JACK MOUNTING LUG (OPTIONAL) (SEE TABLE 3)
 3 CHAIN/ROPE MATL AND LENGTH (SEE TABLE 1)

1. MALE 3 & 4-LUG & THREADED STYLE SUBMINIATURE RFI DUST CAP WITH OR WITHOUT CHAIN OR JACKETED STAINLESS STEEL ROPE AND MOUNTING OPTION

4 NOTE THAT CHAIN LENGTH FOR SST ROPE WITH MOUNTING LUG OPTION IS NOT MEASURED TO CENTER OF BULKHEAD MOUNTING LUG

3 IF SAFETY WIRE REQUIRED ADD SUFFIX "S" TO MODEL NO. (i.e. RFI3155S)

INTERPRET DRAWING PER MIL-STD-100 DIMENSIONS ARE IN INCHES AND INCLUDE FINISH THICKNESS UNLESS OTHERWISE SPECIFIED		TOL.: UNLESS SPECIFIED .XX .XXX ±.005 .XXXX ANGLES		TROMPETER RF connectivity <small>a cinch connectivity solutions brand</small>
DRAWN AAH	DATE 4-9-03	MATERIAL:	TITLE: RFI55/RFI155/ RFI55FL/RFI155FL/ RFI355/RFI3155	
CHECKED JD	DATE 4/9/03	FINISH:	SIZE CAGE CODE B 14949	DRAWING NO. 1-0151
QUALITY MM	DATE 4/10/03	DO NOT SCALE DWG	SCALE 2/1	DATE 2-22-77
APPROVED MM	DATE 4/10/03			SHEET 1C
NEXT ASSY	CAD FILE NO 1-0151M			REV. M