

THIS INFORMATION IS CONFIDENTIAL AND PROPRIETARY TO CW INDUSTRIES INCORPORATED AND ITS AFFILIATES. IT MAY NOT BE DISCLOSED TO ANYONE, OTHER THAN CW INDUSTRIES PERSONNEL, WITHOUT WRITTEN AUTHORIZATION FROM CW INDUSTRIES INCORPORATED, SOUTHAMPTON, PENNSYLVANIA USA.

F

D

C

B

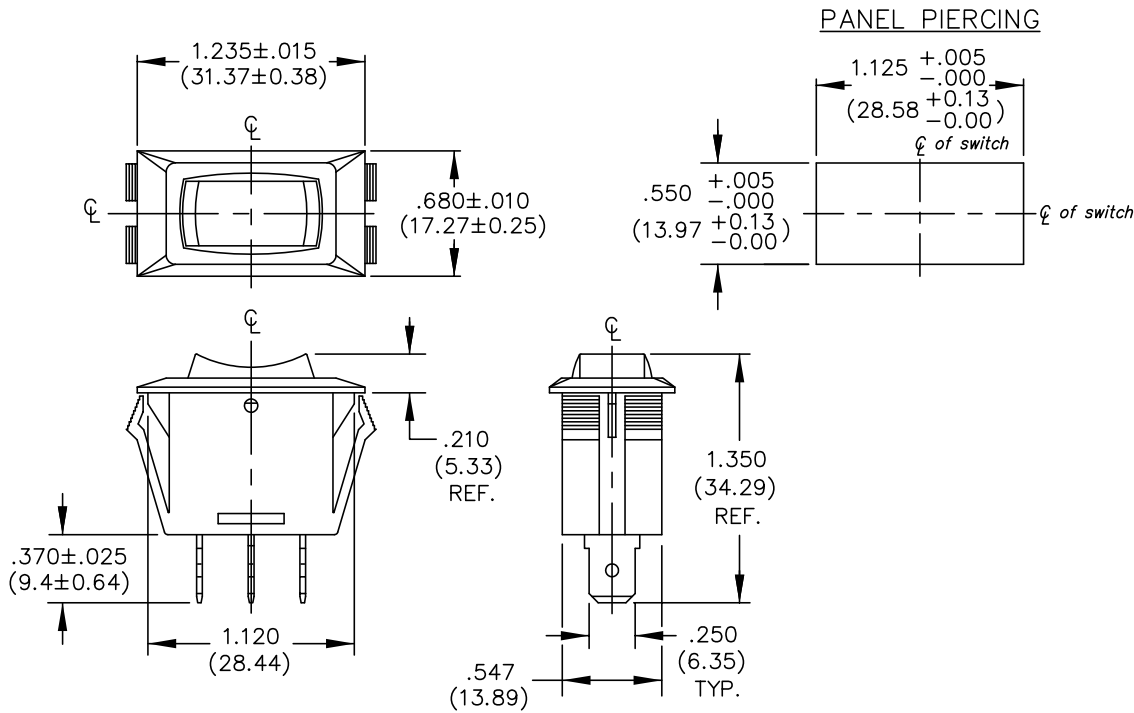
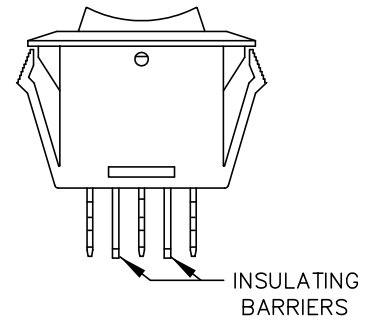
A

PANEL THICKNESS .025" to .180" (0.64mm to 4.57mm)
--

DIMENSIONS IN INCHES (MILLIMETERS)
DO NOT SCALE DRAWING

Dwg. No.
GRS-2013C-XXXX

OPTIONAL BARRIERS:



1 2 3 4 5 6 7 8 9 10

B-FORMAT 2002

REVISIONS

CW INDUSTRIES
Southampton, Pa. 18966

TOLERANCES UNLESS OTHERWISE SPECIFIED
 2 Place Decimal ±.010 METRIC
 3 Place Decimal ±.005 1 Place Dec. ±.25mm
 Angles ±1' 2 Place Dec. ±.13mm

Title: CENTER OFF ROCKER SWITCH WITH OPTIONS
S.P.D.T. (MOM-OFF-MOM)
1.125 x .550 PANEL

Made for: CW IND.
 Drawn by: DGW 7-28-2010
 Checked by:
 Approval:

Division: SWITCH
 Dwg. No. GRS-2013C-XXXX