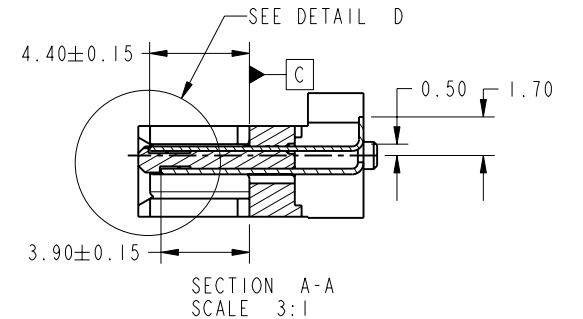
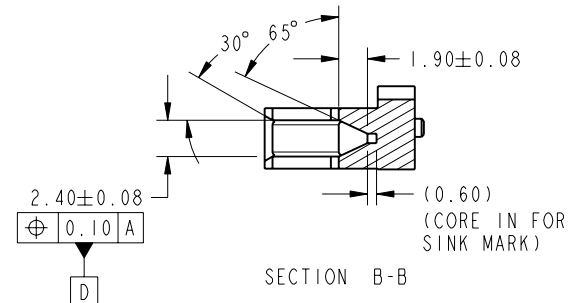
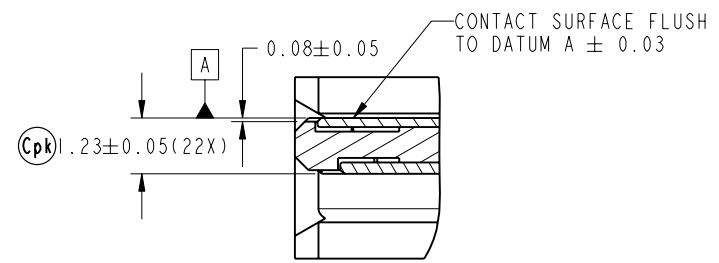
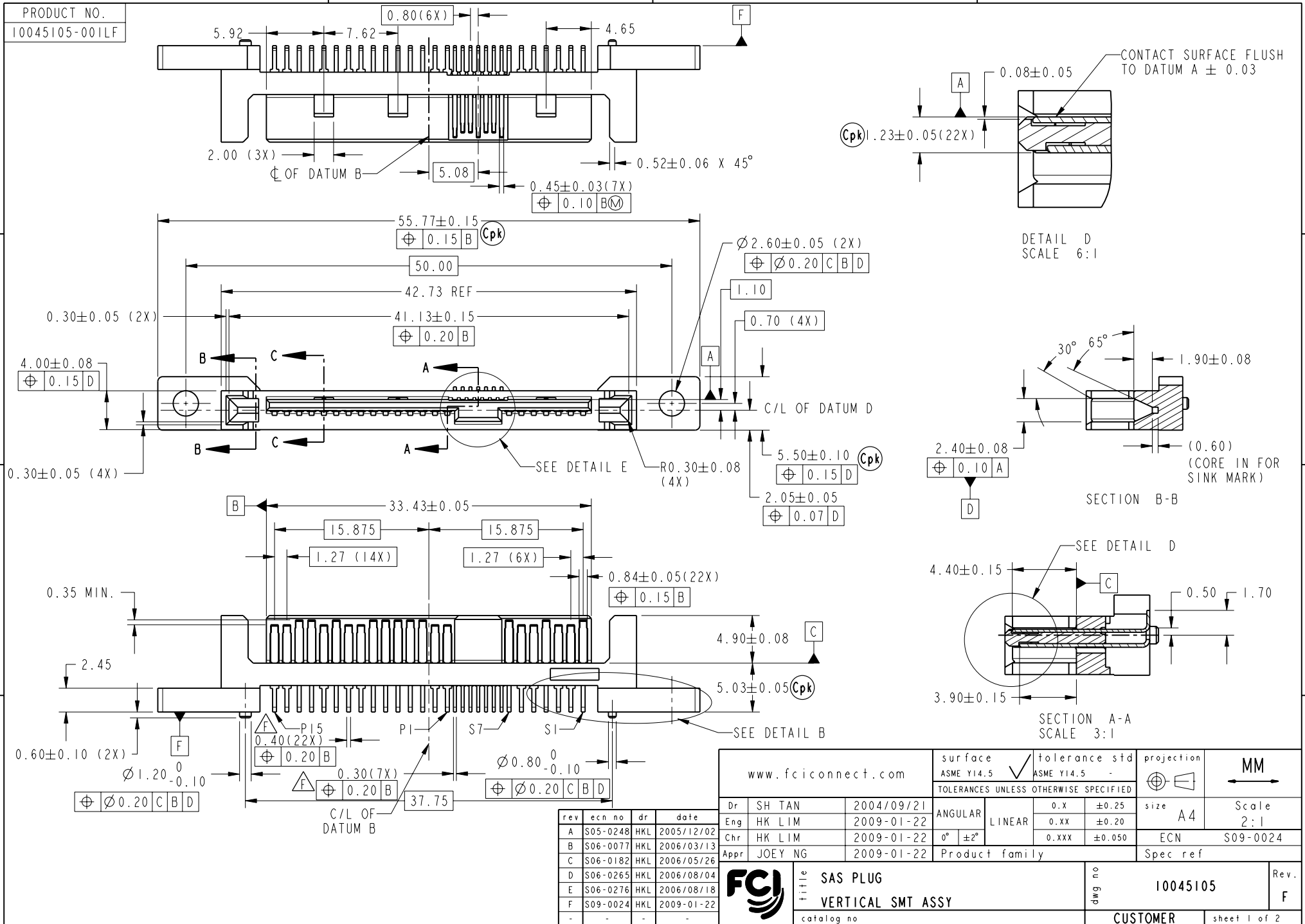




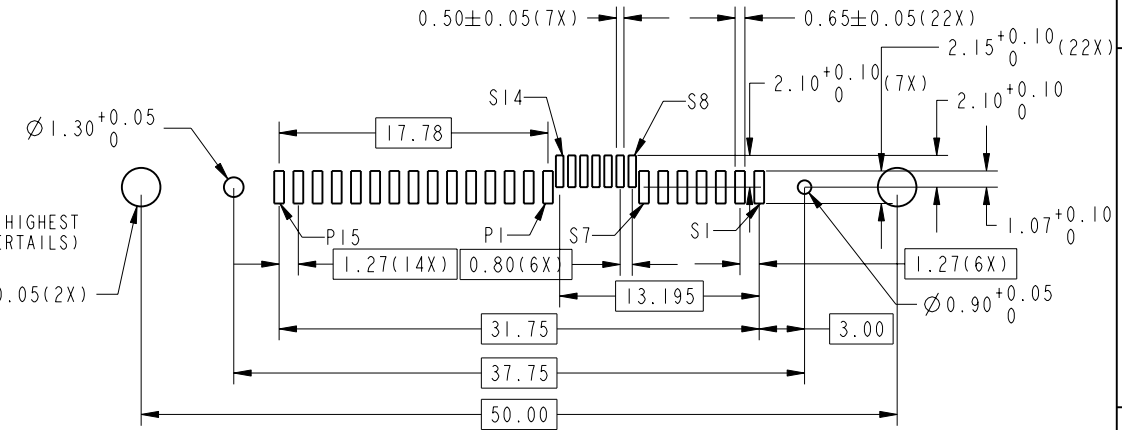
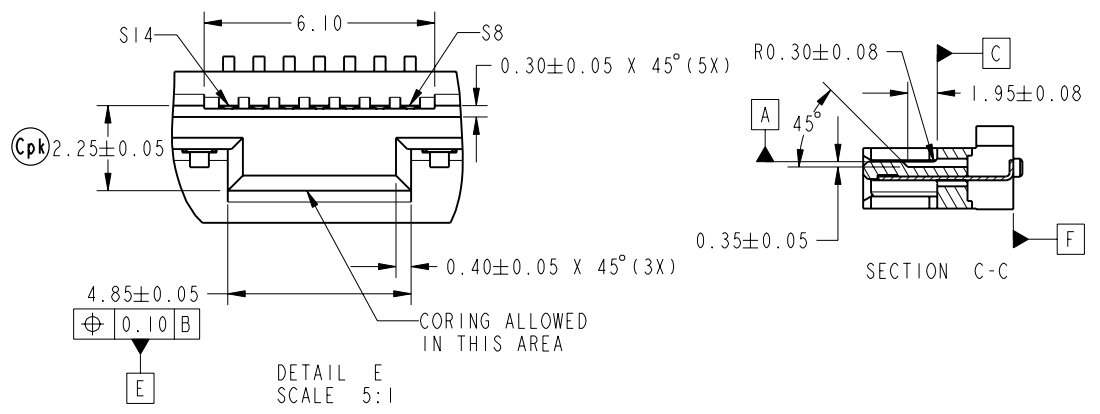
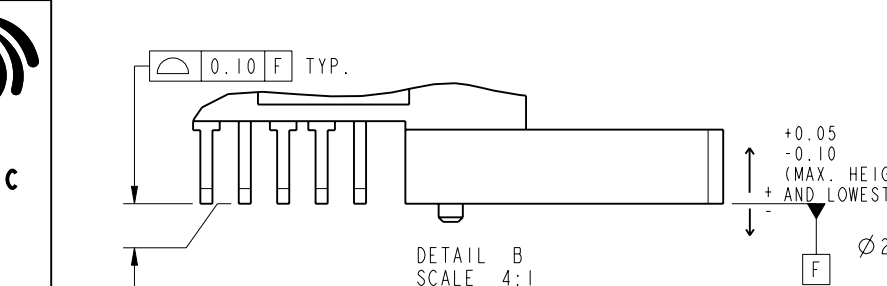
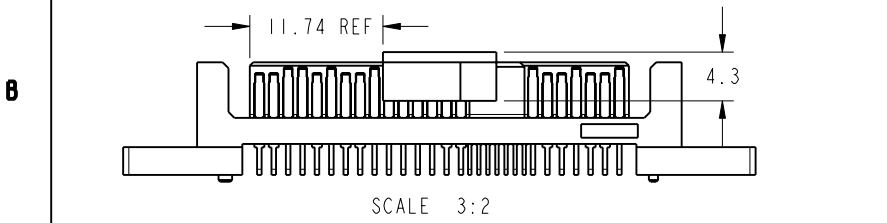
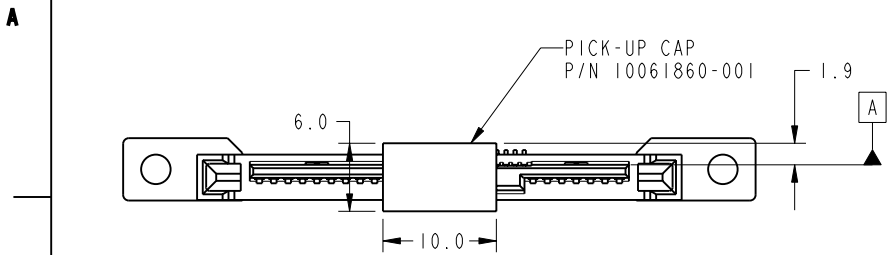
Copyright FCI.



www.fciconnect.com		surface ASME Y14.5	tolerance std ASME Y14.5	projection	MM
		TOLERANCES UNLESS OTHERWISE SPECIFIED		size A4	Scale 2:1
Dr	SH TAN	2004/09/21	0.X ±0.25	ECN S09-0024	
Eng	HK LIM	2009-01-22	0.XX ±0.20	Spec ref	
Chr	HK LIM	2009-01-22	0.XXX ±0.050		
Appr	JOEY NG	2009-01-22	Product family		
FCI logo			SAS PLUG	dwg no 10045105	Rev. F
			VERTICAL SMT ASSY	CUSTOMER	sheet 1 of 2
			catalog no		

REV E - 2006-03-28

PRODUCT NO	WITH PICK-UP CAP	PACKAGING
10045105-001LF	NO	TRAY
10045105-001CLF	YES	TAPE & REEL
10045105-001C-TRLF		



- NOTES:
- MATERIAL:  
HOUSING: HIGH TEMPERATURE PLASTIC, BLACK, UL94V-0  
CONTACT: COPPER ALLOY
  - FINISH:  
1.27um MIN NICKEL UNDERPLATE OVERALL,  
2.54um MIN TIN (LEAD-FREE) ON SOLDER TAIL,  
0.76um MIN GOLD ON CONTACT AREA
  - THIS PRODUCT MEETS EUROPEAN UNION DIRECTIVES AND OTHER COUNTRY REGULATIONS AS DESCRIBED IN GS-22-008
  - THE HOUSING WILL WITHSTAND EXPOSURE TO 260°C PEAK TEMPERATURE FOR 10 SECONDS IN A CONVECTION, INFRA-RED OR VAPOR PHASE REFLOW OVEN
  - COPLANARITY FROM SEATING PLANE: 0.1mm MAX.
  - PART WITH PICK-UP CAP, P/N XXXXXXXX-XXXCLF
  - FOR TAPE & REEL PACKAGING, P/N XXXXXXXX-XXXC-TRLF
  - A SYMBOL WILL BE NEXT TO ANY DIMENSION, VIEW OR NOTE WHICH HAS BEEN MODIFIED WITH THE CURRENT DRAWING REVISION

	TITLE	SAS PLUG VERTICAL SMT ASSY	dwg no 10045105	Rev. F
	CATALOG NO			

REV E - 2006-03-28